



LM809 WiFi USB Nano Adapter 300Mbps

802.11n b,g Up to 280Mtrs range

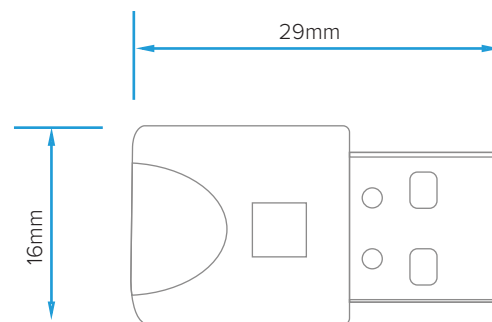
Revised
Datasheet Version
Ordering Options

22/JAN/2021
1.2
See last page



- Operates in 2.4 GHz frequency bands
- 2x2 MIMO technology improves effective throughput and range over existing 802.11 b/g products
- Data rates: up to 300Mbps
- 802.11e-compatible bursting and I standards
- WEP, TKIP, and AES, WPA, WPA2 hardware encryption Schemes
- 2.4GHz ISM Band
- Standard 802.11n b,g
- BPSK, QPSK, 16 QAM, 64 QAM, DBPSK, DQPSK, and CCK modulation schemes.
- 2 Antennas

- Indoor range up to 100 meters, Outdoor up to 280 meters
- Small size Nano Adapter
- Supports WEP, TKIP, AES, WPA, WPA2
- Improved AP (Access Point) functionality
- Improved power management applications
- USB 2.0
- Operating Temperature -10°C to +60°C



Overview

LM809 is a WiFi 11n adapter, which fully supports the features and functional compliance of IEEE 802.11n, b,g, standards. It supports up to 300Mbps high -speed wireless network connections.

It is designed to provide excellent performance with minimum power consumption and enhance the advantages of robust system and be cost-effective.

It is targeted for competitive superior performance and better power management applications.



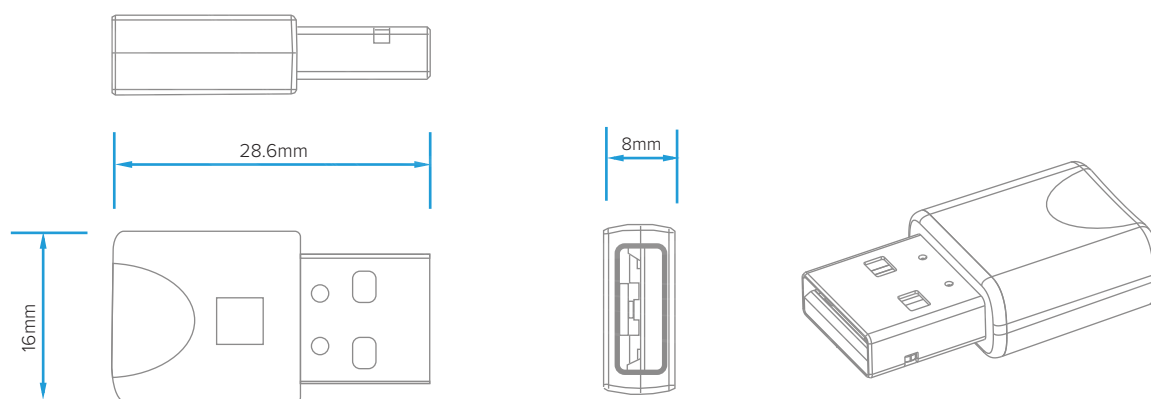
LM809 WiFi USB Nano Adapter 300Mbps

802.11n b,g Up to 280Mtrs range

General Specification

Product Name	LM809 WiFi USB Nano Adapter 300Mbps
Standard	802.11n b,g
Data Transfer Rate	1,2,5,5,6,11,12,18,22,24,30,36,48,54,60,90,120,180,240,270 and maximum of 300Mbps
Modulation Method	BPSK/ QPSK/ 16-QAM/ 64-QAM/ DBPSK/ DQPSK/ CCK
Frequency Band	2.4GHz ISM Band
Spread Spectrum	IEEE 802.11b: DSSS (Direct Sequence Spread Spectrum) IEEE 802.11g/n: OFDM (Orthogonal Frequency Division Multiplexing)
RF Output Power	13dBm@11n, 15dBm@11g, 17dBm@11b
Operation Mode	Ad hoc, Infrastructure
Receiver Sensitivity	11Mbps -80dBm@8%, 54Mbps -70dBm@10%, 300Mbps -64dBm@10%
Operation Range	Indoor up to 100 meters, Outdoor up to 280 meters
LED	Power
OS Support	Windows XP, Vista, 7, 8, macOS, Linux
Security	64 bit/128 bit WEP, TKIP, AES, WPA, WPA2
Interface	USB 2.0
Power Consumption	Transmit: around 253mA, Receive: around 162mA
Operating Temperature	-10°C to +60°C ambient temperature
Storage Temperature	-20°C to +70°C ambient temperature
Humidity	5 to 90 % maximum (non-condensing)
Dimensions	29 x 16 x 8mm (L x W x H)
Weight	3.33g +/- 0.25g tolerance

Dimensions





LM809 WiFi USB Nano Adapter 300Mbps

802.11n b,g Up to 280Mtrs range

Datasheet Version Notes

v1.0	11 JAN 2018	Added version notes to datasheet.
v1.1	14 MAY 2018	Updated housing and General Specifications.
v1.2	22 JAN 2021	Datasheet branding update.



LM809 WiFi USB Nano Adapter 300Mbps

802.11n b,g Up to 280Mtrs range

Ordering Options



809-0659

Sample

ADPT 802.11n USB 300Mbps 5V IC-ANT SAMPLE



809-0647

Adapter Only

ADPT 802.11n USB 300Mbps 5V IC-ANT AO



809-0658

Retail Pack

ADPT 802.11n USB 300Mbps 5V IC-ANT RP

- User Guides, Manuals and Widcomm Configuration Software available to download via our website - <http://www.lm-technologies.com/support/downloads>